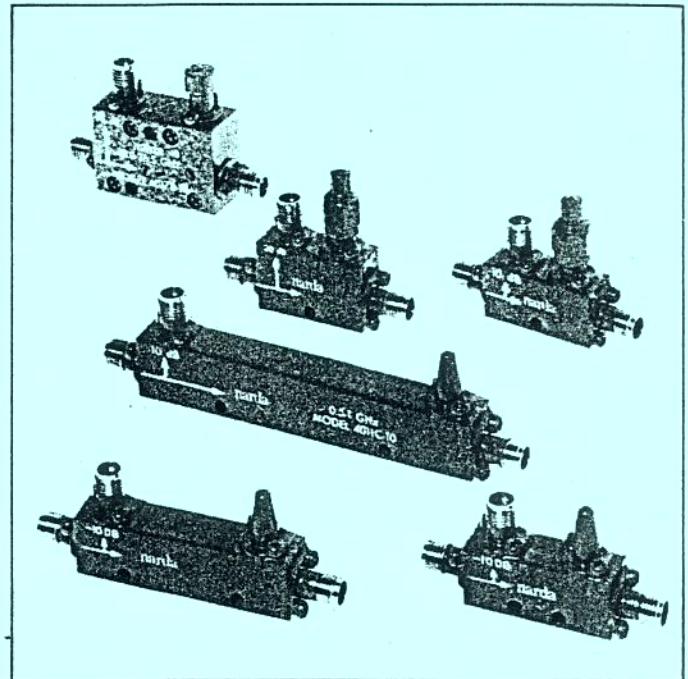


SMA MINIATURE STRIPLINE COAXIAL COUPLERS



DESCRIPTION

Narda's Model 4000 Series Miniature Coaxial Couplers represent a substantial reduction in size and weight compared to previous models. All units are of miniature stripline design with the exception of Model 4017B which is an airline coupler.

All units are rated conservatively and typically perform well above specifications. For instance, typical performance of the L-band unit, Model 4012C, is 25 dB (minimum) directivity; the X band unit, Model 4015C, has a directivity in excess of 17 dB. On a special order basis, units can be supplied with superior specifications in given models at extra cost.

Connectors are Narda SMA female stainless steel precision miniatures and mate with standard connectors in use for 0.141 inch coax line.

Refer to previous page for Narda's Model 4240 series of maximally flat miniature stripline coaxial couplers with multi-octave bandwidth coverage.

FEATURES

- Smallest, Lightest Units Available from 0.5 to 26.5 GHz
- Highest Directivity, Lowest VSWR
- Sweep Frequency Tested
- Operational to 105°C Without Degradation (125°C Storage)

Couplers

SPECIFICATIONS

FREQUENCY RANGE (GHz)	MODEL	COUPLING NOMINAL (dB)	FREQUENCY SENSITIVITY (dB)	INSERTION LOSS EXCLUDING COUPLED POWER	LOSS TRUE	DIRECTIVITY (dB Min)	VSWR		AVERAGE INCIDENT (Watts)	POWER AVERAGE REFLECTED (Watts)	PEAK (kW)	WEIGHT	
							PRIMARY LINE	SECONDARY LINE				Oz	Grams
0.5-1	4011C-10	10±1.25	±0.75	0.20	0.80	25	1.15	1.15	50	5	3	1.16	33
	4011C-20	20±1.25	±0.75	0.20	0.20	25	1.15	1.15	50	50	3	1.2	34
1-2	4012C-6	6±1.00	±0.60	0.20	1.80	25	1.15	1.15	50	2	3	0.78	22
	4012C-10	10±1.25	±0.75	0.20	0.90	25	1.10	1.10	50	5	3	0.78	22
	4012C-20	20±1.25	±0.75	0.20	0.20	27	1.10	1.10	50	50	3	0.78	22
	4012C-30	30±1.25	±0.75	0.20	0.20	27	1.10	1.10	50	50	3	0.81	23
2-4	4013C-6	6±1.00	±0.60	0.20	1.80	22	1.15	1.15	50	2	3	0.60	17
	4013C-10	10±1.25	±0.75	0.20	0.70	22	1.15	1.15	50	5	3	0.60	17
	4013C-20	20±1.25	±0.75	0.20	0.20	22	1.15	1.15	50	50	3	0.60	17
	4013C-30	30±1.25	±0.75	0.20	0.20	22	1.15	1.15	50	50	3	0.60	17
2.6-5.2	4053-6	6±1.00	±0.60	0.25	1.80	18	1.25	1.25	50	2	3	0.60	17
	4053-10	10±1.25	±0.75	0.25	0.80	20	1.25	1.25	50	5	3	0.60	17
	4053-20	20±1.25	±0.75	0.25	0.25	20	1.25	1.25	50	50	3	0.60	17
	4053-30	30±1.25	±0.75	0.25	0.25	20	1.25	1.25	50	50	3	0.63	18
4-8	4014C-6	6±1.00	±0.60	0.25	2.00	18	1.25	1.25	50	2	3	.56	16
	4014C-10	10±1.25	±0.75	0.25	1.00	20	1.25	1.25	50	5	3	.56	16
	4014C-20	20±1.25	±0.75	0.25	0.30	20	1.25	1.25	50	50	3	.56	16
	4014C-30	30±1.25	±0.75	0.25	0.25	20	1.25	1.25	50	50	3	.60	17
7-12.4	4015C-6	6±1.00	±0.50	0.40	2.00	15	1.30	1.30	50	2	3	.63	18
	4015C-10	10±1.25	±0.50	0.40	1.00	17	1.30	1.30	50	5	3	.64	18
	4015C-20	20±1.00	±0.50	0.30	0.35	17	1.25	1.25	50	50	3	.63	18
	4015C-30	30±1.00	±0.50	0.30	0.30	17	1.25	1.25	50	50	3	.71	20
7.5-16	4055-6	6±1.10	±0.60	0.60	2.20	12	1.35	1.45	50	2	2	.63	18
	4055-10	10±1.50	±0.75	0.60	1.25	12	1.35	1.45	50	5	2	.63	18
	4055-20	20±1.25	±0.75	0.50	0.50	15	1.35	1.45	50	50	2	.63	18
	4055-30	30±1.25	±0.75	0.50	0.50	15	1.35	1.45	50	50	2	.70	20
12.4-18	4016D-6	6±1.00	±0.50	0.55	2.00	15	1.35	1.45	50	2	1	0.63	18
	4016D-10	10±1.00	±0.50	0.55	1.10	15	1.35	1.45	50	5	1	0.63	18
	4016C-20	20±1.00	±0.50	0.50	0.55	15	1.35	1.45	50	50	1	0.8	22
	4016C-30	30±1.00	±0.50	0.50	0.50	15	1.35	1.45	50	50	1	0.8	22
18-26.5	4017C-10	10 ± 1	±.6	0.9	1.5	13	1.45	1.45	30	0.2	1.0	28	
	4017-20	20 ± 1	±.6	0.7	0.8	13	1.45	1.45	30	0.2	1.0	28	

*Frequency Sensitivity is included in coupling.

**Important Note, connectors are 3.5mm style.

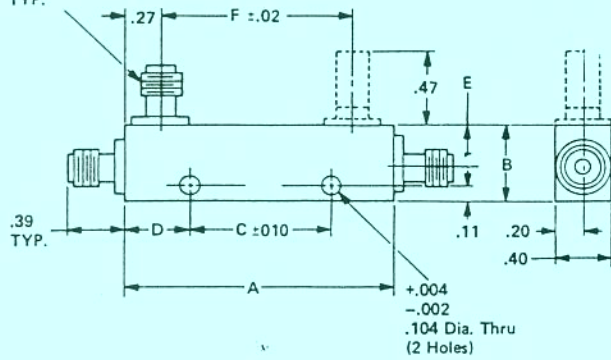
HTB Elektronik
 Im Gewerbepark 11
 27619 Schiffdorf/Germany
 (+49) 4706 750100
 info@htb-elektronik.com

narda

A Subsidiary of LORAL

Couplers

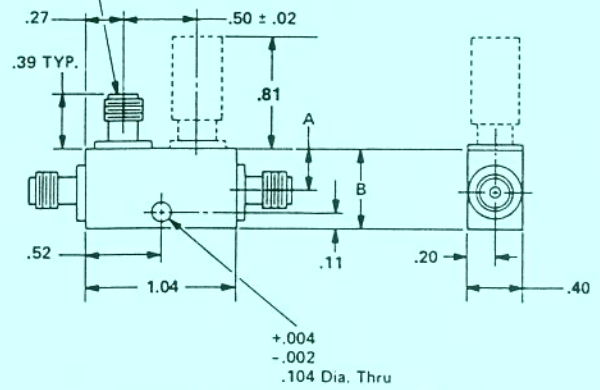
Type SMA
Stainless Steel
Female Connectors
TYP.



MODEL 4011, 4012, 4013

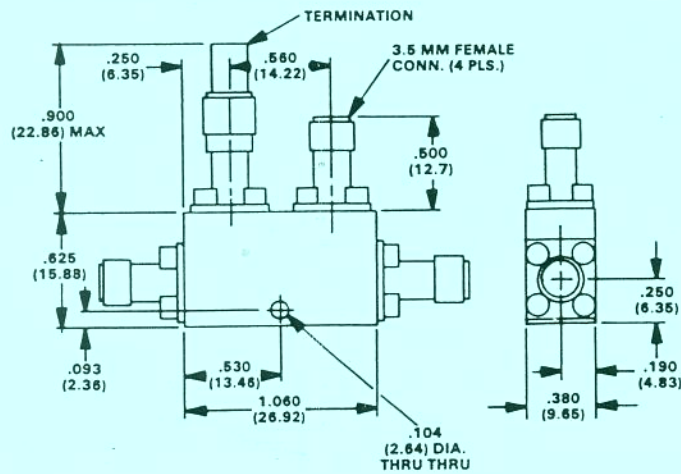
Model No.	A	B	C	D	E	F
4011C-10	3.05	.59	1.500	.79	.34	2.53
4011C-20, -30	3.03	.53	1.750	.65	.30	2.50
4012C-6	1.83	.54	.940	.44	.30	1.28
4012C-10, -20	1.83	.54	.940	.44	.30	1.28
4012C-30	1.83	.59	.940	.44	.35	1.28
4013C-6	1.20	.54	.340	.44	.30	.65
4013C-10, -20	1.20	.54	.340	.44	.30	.65
4013C-30	1.20	.59	.340	.44	.35	.65

Type SMA
Stainless Steel Female
Connectors TYP.



MODELS 4014, 4015, 4016, 4053, 4055

Model No.	A	B
4014C-6, -10, -20	.30	.54
4014C-30	.34	.57
4015C-6, -10	.30	.54
4015C-20	.30	.54
4015C-30	.43	.66
4016D-6, -10	.30	.54
4016C-20, -30	.43	.66
4053-6, -10, -20	.30	.54
4053-30	.34	.57
4055-6, -10	.30	.54
4055-20, -30	.43	.66



Model 4017

HTB Elektronik
im Gewerbepark 11
27619 Schiffdorf/Germany
(+49) 4706 750100
info@htb-elektronik.com

All dimensions are Max. unless otherwise specified.